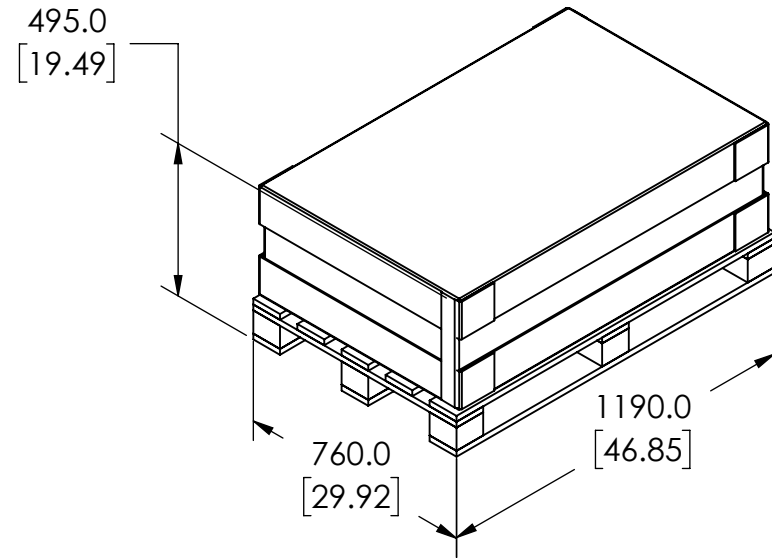
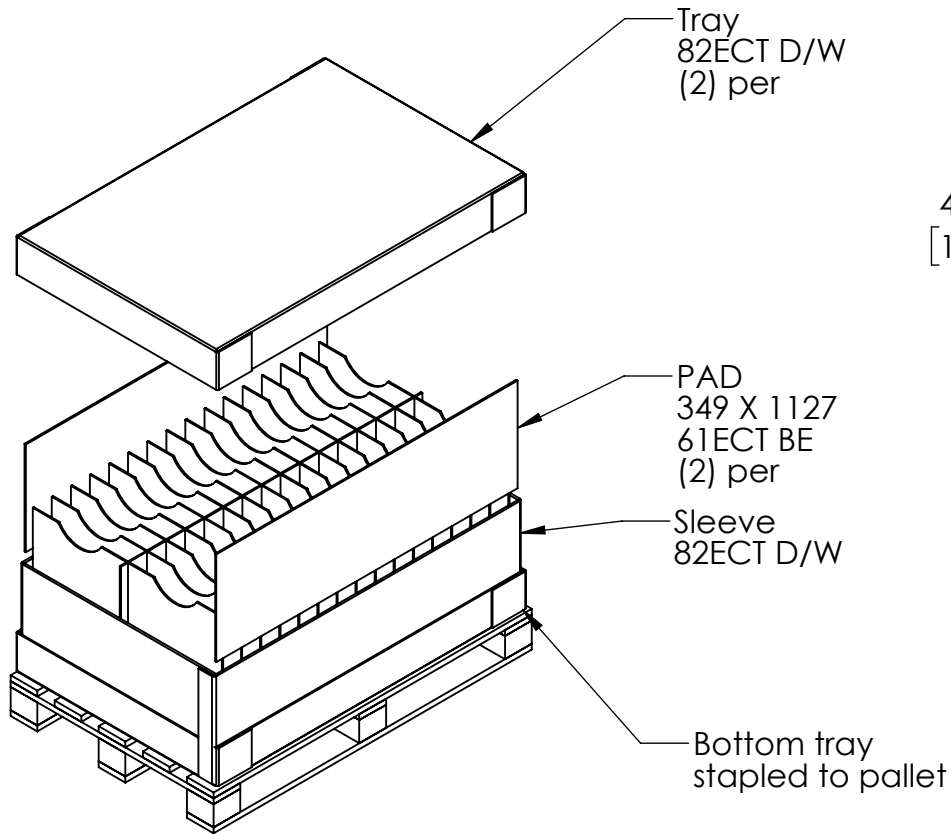


REV #	DESCRIPTION	DATE	ENG
00	DRAWING CREATED	10/12/20	TLF



**BRAKE ROTOR**  
(30) Parts per pack

- PITM113920-00 BOM
- PITM113921-00 PALLET
- PITIM113922-00 TRAY
- PITM113923-00 PALLET & TRAY
- PITM113924-00 SLEEVE
- PITM113925-00 DIVIDER
- PITM113926-00 SIDE PAD

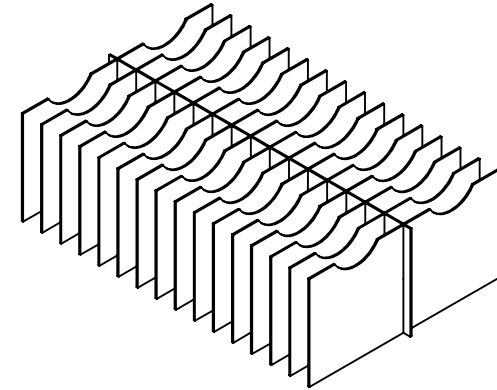
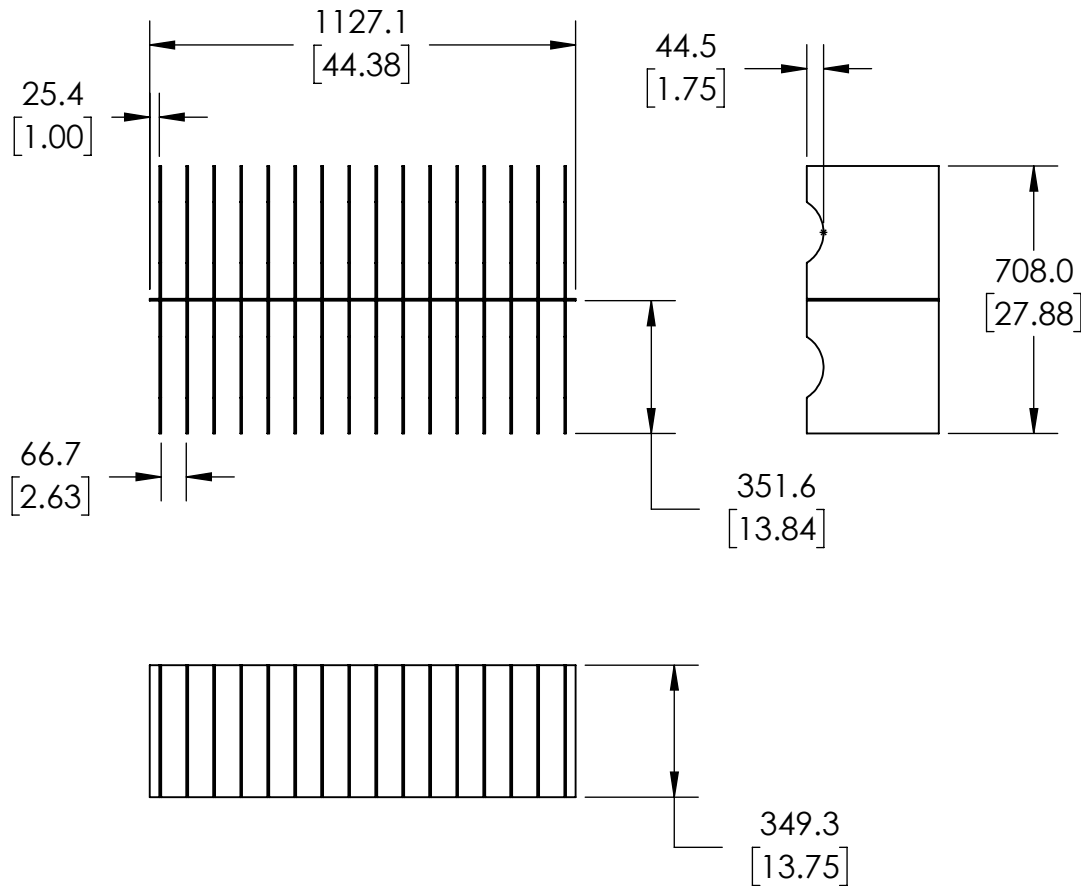
\*\*\*CONFIDENTIAL\*\*\*

APPROVAL: \_\_\_\_\_ DATE: \_\_\_\_\_

REF PROJECT 0000	REV00	ITEM NO. PITM113920	CUSTOMER	DRAWING NAME PITM113920_Brake Rotor Pack	TOLERANCES LINEAR +/- 0.125" GAUGE +/- 10%
Sheet1	REV DATE: 00/00/00	DRAWING DATE: 10/12/20	DESCRIPTION		

ITEM NO.	QTY.	MATERIAL	CORR	WIDTH
1	1	61 ECT BE	349.3 [13.75]	1127.1 [44.38]
2	16	61 ECT BE	349.3 [13.75]	708.0 [27.88]

REV #	DESCRIPTION	DATE	ENG
00	DRAWING CREATED	10/12/20	TLF



**30 Cell divider**  
61ECT BE

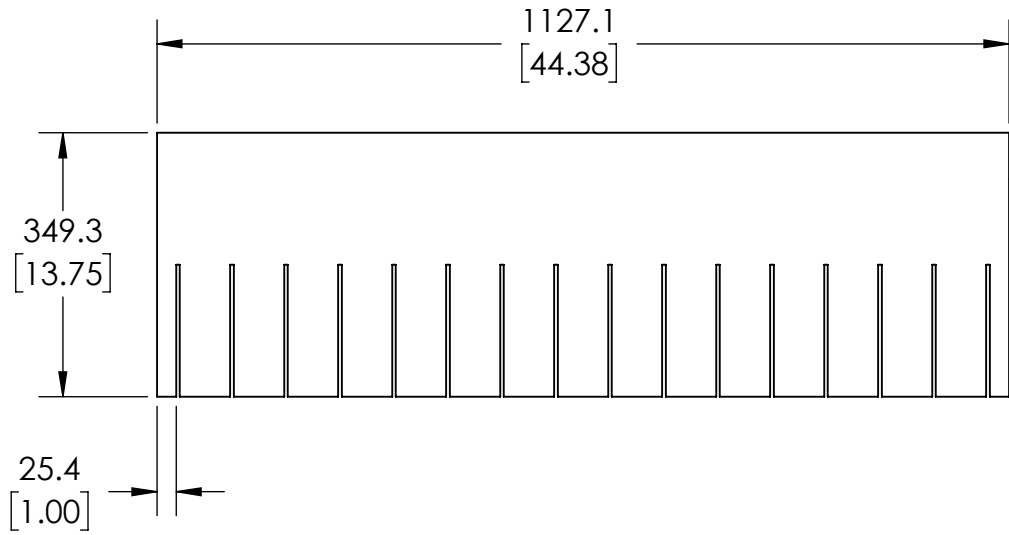
\*\*\*CONFIDENTIAL\*\*\*

APPROVAL: \_\_\_\_\_

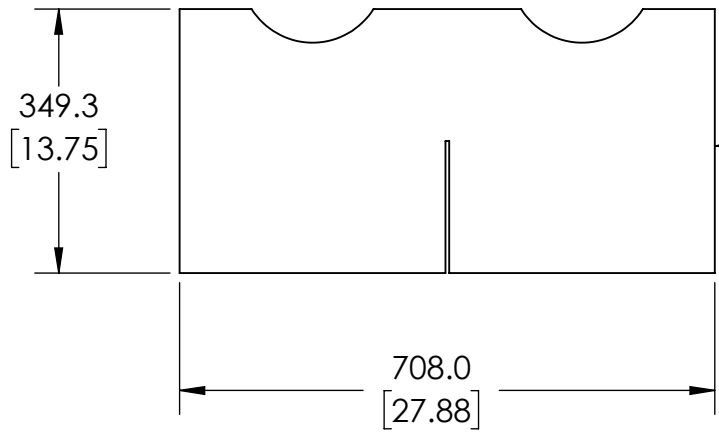
DATE: \_\_\_\_\_

REF PROJECT 0000	REV00	ITEM NO. PITM113920	CUSTOMER	DRAWING NAME PITM113920_Brake Rotor Pack	TOLERANCES LINEAR +/- 0.125" GAUGE +/- 10%
REV DATE: 00/00/00	DRAWING DATE: 10/12/20	DESCRIPTION			
Sheet2					

REV #	DESCRIPTION	DATE	ENG
00	DRAWING CREATED	10/12/20	TLF



1 1X  
61ECT BE



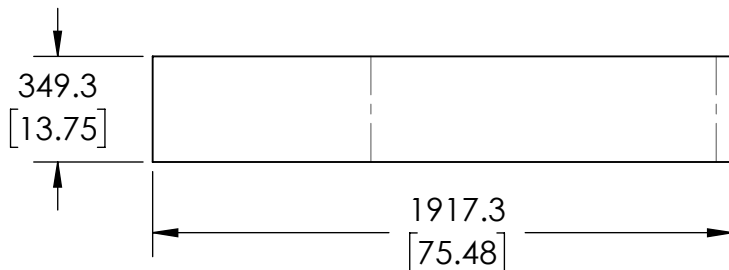
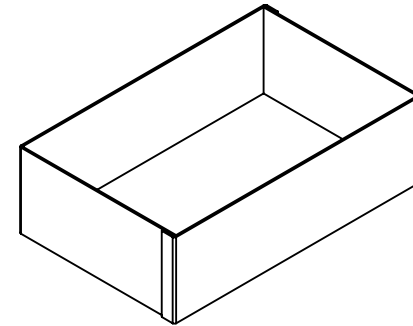
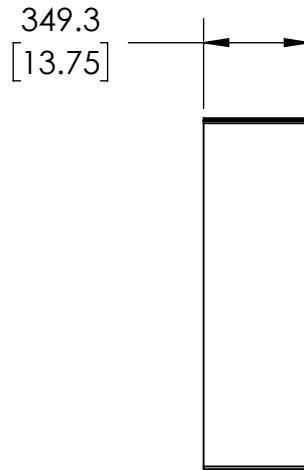
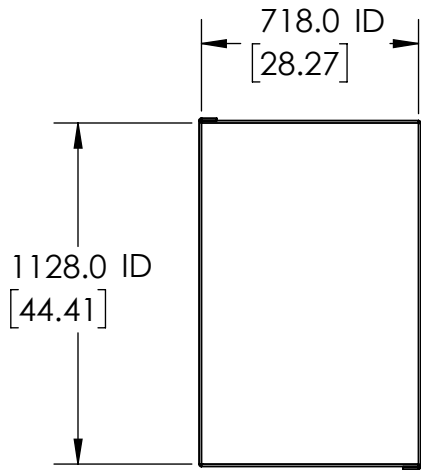
2 16X  
61ECT BE

\*\*\*CONFIDENTIAL\*\*\*

APPROVAL: \_\_\_\_\_ DATE: \_\_\_\_\_

REF PROJECT 0000	REV00	ITEM NO. PITM113920	CUSTOMER	DRAWING NAME PITM113920_Brake Rotor Pack	TOLERANCES LINEAR +/- 0.125" GAUGE +/- 10%
REV DATE: 00/00/00	DRAWING DATE: 10/12/20	DESCRIPTION			
Sheet3					

REV #	DESCRIPTION	DATE	ENG
00	DRAWING CREATED	10/12/20	TLF



1

**TWO PIECE SLEEVE**  
82 ECT D/W  
PREGLUE AND FOLD FLAT

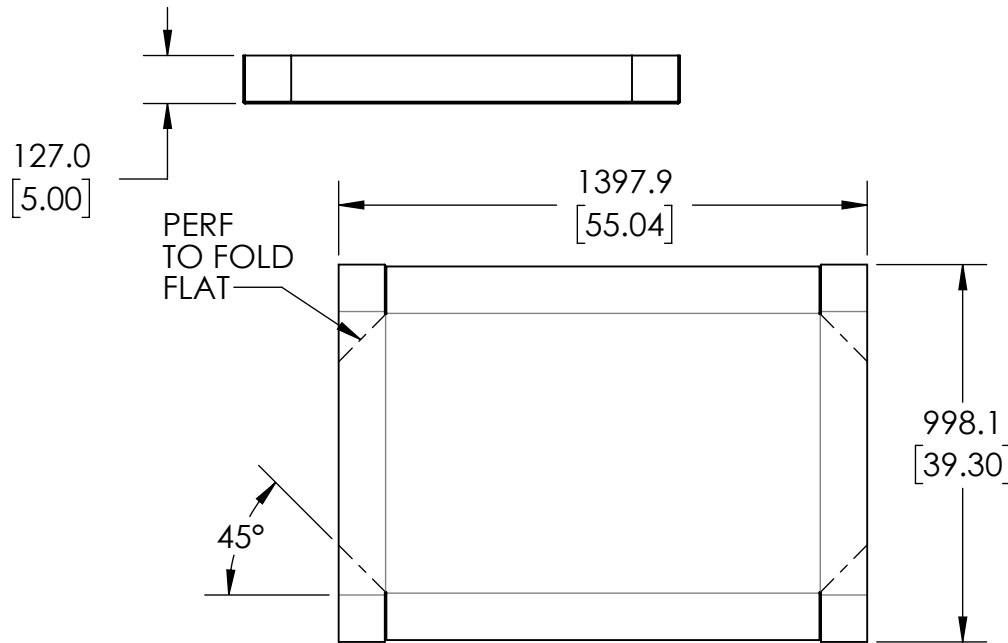
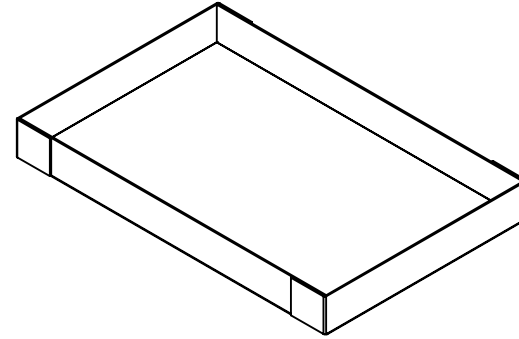
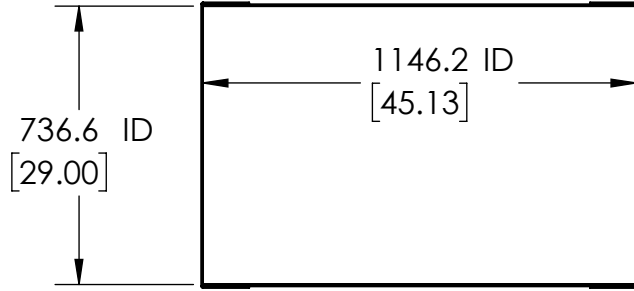
\*\*\*CONFIDENTIAL\*\*\*

APPROVAL: \_\_\_\_\_

DATE: \_\_\_\_\_

REF PROJECT 0000	REV00	ITEM NO. PITM113920	CUSTOMER	DRAWING NAME PITM113920_Brake Rotor Pack	TOLERANCES LINEAR +/- 0.125" GAUGE +/- 10%
REV DATE: 00/00/00	DRAWING DATE: 10/12/20	DESCRIPTION			
Sheet4					

REV #	DESCRIPTION	DATE	ENG
00	DRAWING CREATED	10/12/20	TLF



**TRAY**  
82 ECT D/W

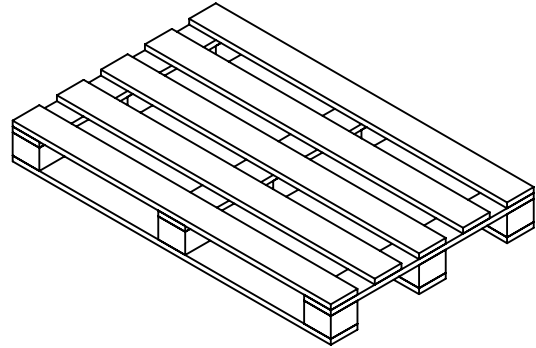
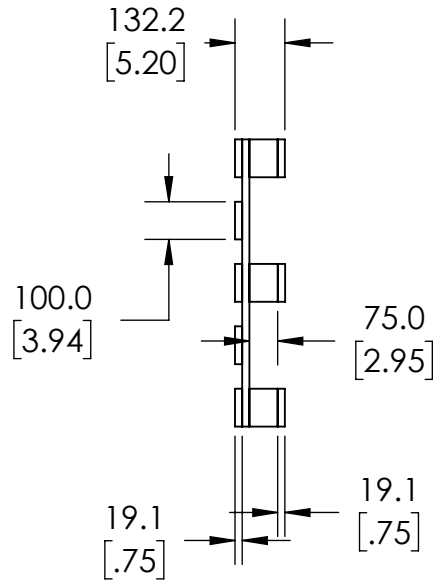
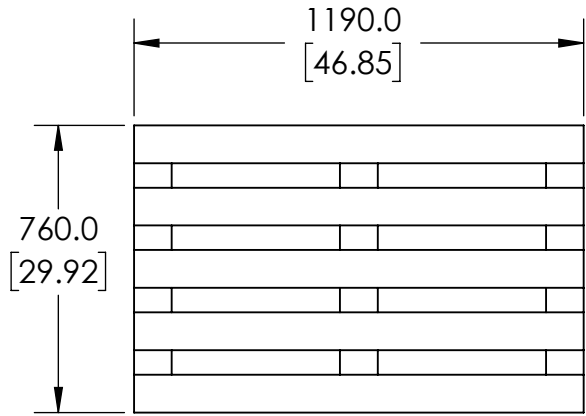
\*\*\*CONFIDENTIAL\*\*\*

APPROVAL: \_\_\_\_\_

DATE: \_\_\_\_\_

REF PROJECT 0000	REV00	ITEM NO. PITM113920	CUSTOMER	DRAWING NAME PITM113920_Brake Rotor Pack	TOLERANCES LINEAR +/- 0.125" GAUGE +/- 10%
REV DATE: 00/00/00	DRAWING DATE: 10/12/20	DESCRIPTION			
Sheet5					

REV #	DESCRIPTION	DATE	ENG
00	DRAWING CREATED	10/12/20	TLF



**BLOCK PALLET**  
HT AND STAMP

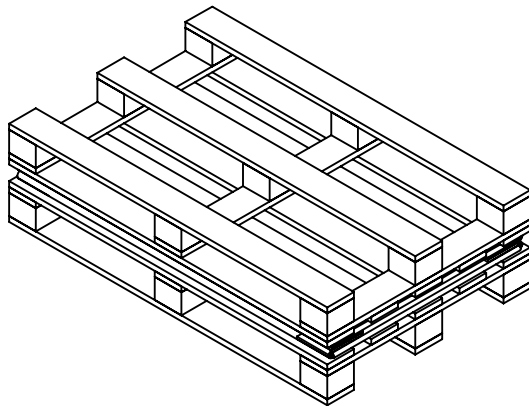
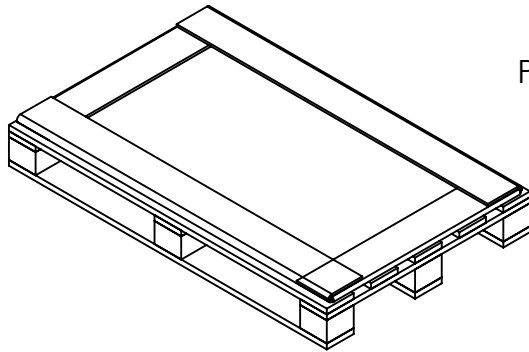
\*\*\*CONFIDENTIAL\*\*\*

APPROVAL: \_\_\_\_\_ DATE: \_\_\_\_\_

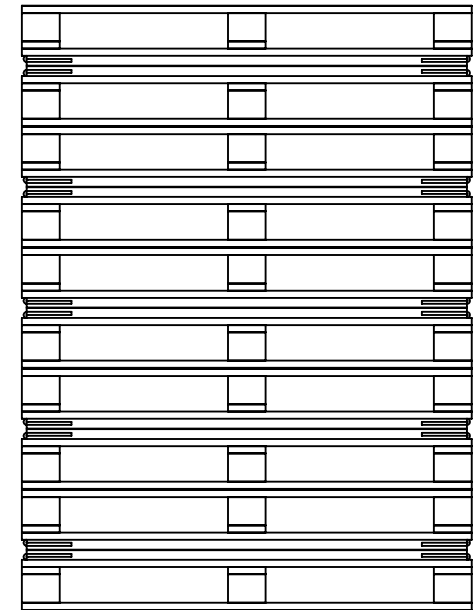
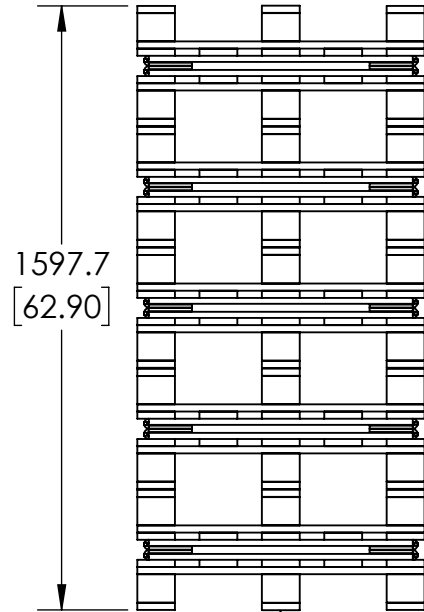
REF PROJECT 0000	REV00	ITEM NO. PITM113920	CUSTOMER	DRAWING NAME PITM113920_Brake Rotor Pack	TOLERANCES LINEAR +/- 0.125" GAUGE +/- 10%
REV DATE: 00/00/00	DRAWING DATE: 10/12/20	DESCRIPTION			
Sheet6					

REV #	DESCRIPTION	DATE	ENG
00	DRAWING CREATED	10/12/20	TLF

PALLET WITH STAPLED TRAY



PALLET WITH STAPLED TRAY  
STACKED CORRUGATED TO CORRUGATED



(10) IN A STACK BANDED  
AS SHIPPED IN

\*\*\*CONFIDENTIAL\*\*\*

APPROVAL: \_\_\_\_\_

DATE: \_\_\_\_\_

REF PROJECT 0000	REV00	ITEM NO. PITM113920	CUSTOMER	DRAWING NAME PITM113920_Brake Rotor Pack	TOLERANCES LINEAR +/- 0.125" GAUGE +/- 10%
REV DATE: 00/00/00	DRAWING DATE: 10/12/20	DESCRIPTION			
Sheet7					